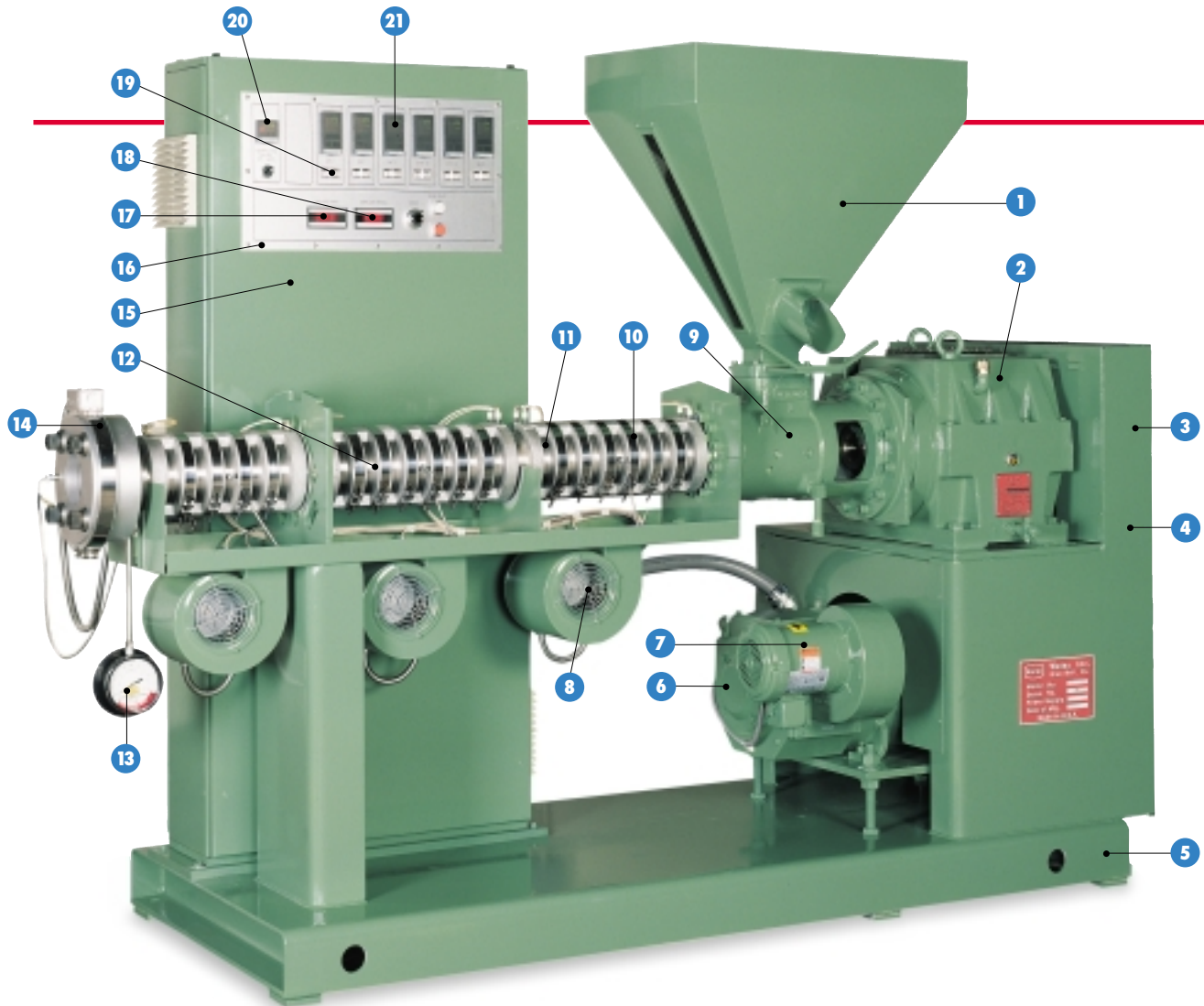




Mark I General Purpose Extruders





Standard features on every Welex extruder include:

1. Large capacity hopper with sight glass and shut-off gate.
2. Double-reduction helical gear reducer with precision ground hardened gears.
3. Versatile belt drive.
4. Safety interlock.
5. Rugged machine base carries all components. Maintains accurate alignment. Requires no special mounting or foundation. No bolting to floor.
6. Plenty of horsepower and torque. Maintenance-free AC motors standard.
7. High efficiency fan for motor cooling.
8. High volume cooling fans to dissipate excess frictional heat.
9. Water cooled feed section with generous opening.
10. Cast aluminum window heaters for more efficient air cooling (2" and up).
11. Bimetallic lined cylinders for long wear. Hard metal lining is 2 - 3 mm thick. Outlast cylinders with nitrided surface, which is both thinner and softer.
12. Hard surfaced screws. Designs for all materials and applications.
13. Melt pressure gauge and rupture disc (standard).
14. High pressure rated hinged swing gate with heater.
15. Premounted, prewired panel for single power drop installation.
16. Aluminum instrument panel.
17. Motor load ammeter.
18. Screw speed tachometer.
19. Ammeter for each heating zone.
20. Melt temperature indicator (with thermocouple).
21. Individual plug-in temperature controllers.

Welex Mark I Extruders:

Thousands in service worldwide.

There's a simple, clear idea behind the Mark I line of extruders from Welex: Plastic processors need good, solid, workhorse machines to handle the jobs that bigger, more expensive machines are overqualified for.

So we build our Mark I series just like their big brothers: With double-reduction helical gears, bimetallic cylinders, high-performance screws, digital temperature controls, long-life sealed mercury pool relays, circuit breakers, welded bases, and hinged gates.

And we size them right for smaller jobs.

You can fit them in anywhere, without special foundations. They're prewired, prepiped, pretested. Ready to hook up and run. For years.

Even better, the entire Mark I series is usually available from stock. At very agreeable prices.

Take a look at the standard features you'll find on every one of these fine extruders.



Options include:

- Caster mounted base*
- Remote control panel*
- Low-boy design*
- Sub-assembly for special applications*
- 30D length (with venting, if appropriate)*
- Single bolt quick release front end clamp*
- Closed loop liquid cooling*
- Special cylinders*
(for highly abrasive or corrosive materials)
- Hinged cylinder guard*
- Stainless steel hopper*
- Special instrumentation*
- Automated process control*
- Custom paint*



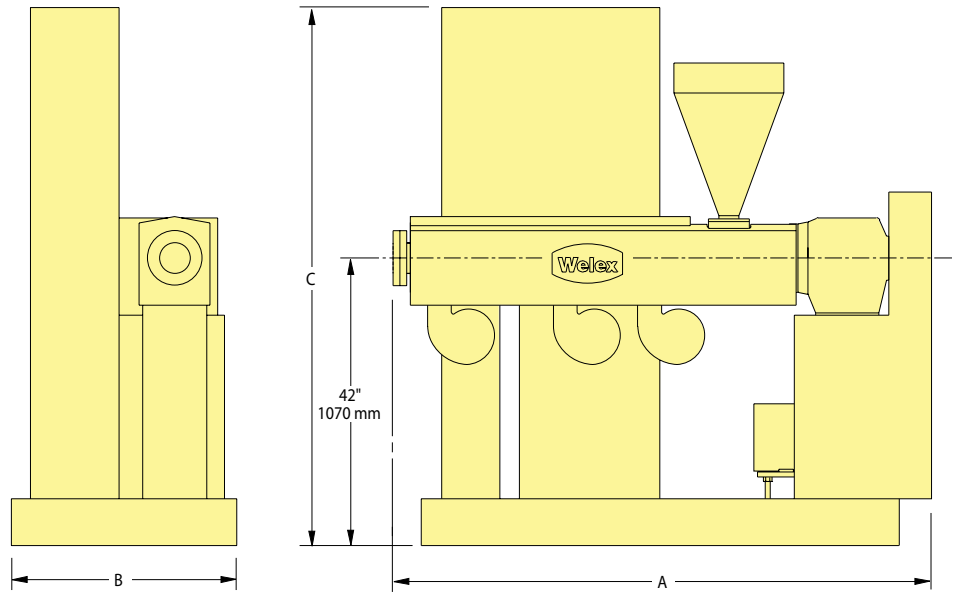
Standard swing gate



Single bolt quick clamp
(optional)

Dimensions and Specifications

24D length standard (30D available).
All models also available in low-boy design
or sub-assembly for special
applications.



Welex service and support

Welex extrusion systems are backed by a worldwide sales and service organization that you can call on for help at any time. We employ the most qualified field service staff and maintain the most complete spare parts inventory in the industry, so that we can always provide whatever support you need.

Whether you're near us or half a world away, we understand your needs and we'd like to work with you to meet them—in your language and measurement system. Our equipment meets the CE ANSI and NFPA standards —plus other certifications on request.

Call your local Welex representative (listed on our home page on the Internet), or contact us directly.

Nominal Screw Diameter	1-1/4 " (30 mm)	1-1/2 " (40 mm)	2 " (50 mm)	2-1/2 " (65 mm)	3-1/2 " (90 mm)
Dimension A	51 " (1300 mm)	62 " (1570 mm)	79 " (2010 mm)	102 " (2590 mm)	126 " (3200 mm)
Dimension B	31 " (790 mm)	31 " (790 mm)	38 " (965 mm)	41 " (1040 mm)	47 " (1190 mm)
Dimension C	77 " (1960 mm)	77 " (1960 mm)	79 " (2010 mm)	78 " (1980 mm)	84 " (2135 mm)
AC Motor Size	10 hp	15 hp	20 hp	40 hp	75 hp
Available Maximum Screw Speed	AGMA Class II Gear Rating:				
80	—	—	20 hp	47 hp	75 hp
100	—	15 hp	23 hp	59 hp	100 hp
125	—	18 hp	28 hp	74 hp	125 hp
150	10 hp	22 hp	33 hp	89 hp	150 hp
175	12 hp	26 hp	39 hp	103 hp	175 hp
200	14 hp	30 hp	45 hp	118 hp	200 hp
Number of Heating Zones	3+ Gate	3+ Gate	3+ Gate	3+ Gate	4+ Gate
Heater Capacity	6 kW	9 kW	14 kW	19 kW	29 kW
Approximate Weight	1500 lbs (680 kg)	2000 lbs (900 kg)	3000 lbs (1350 kg)	5000 lbs (2250 kg)	7000 lbs (3200 kg)
Nominal Capacity*	20-50 lb/h (10-25 kg/h)	30-75 lb/h (15-35 kg/h)	80-150 lb/h (40-70 kg/h)	150-300 lb/h (70-150 kg/h)	300-600 lb/h (150-300 kg/h)
Bearing Rating Hours B-10 at 5000 psi, 100 rpm	119000	900000	171000	242000	106000

Specifications subject to change without notice.

*Because of variation in materials and operating conditions these figures do not imply any guarantee.



Welex Incorporated
1600 Union Meeting Road, Blue Bell, PA 19422 U.S.A.
www.welex.com • E-mail: welex@welex.com
Tel: 215-542-8000 • Fax: 215-542-9841